

Samsung ME95C Large Format Displays

Versatile LFDs with capabilities to support productive business scenarios



Highlights

- Increase productivity with visual solutions such as sharper, brighter images without shadows and no dazzling or focusing issues with 120 Hz refresh rate
- Enhance customer experience and save energy with innovative technology featuring the world's largest 95-inch edge LED LFD with super-narrow bezel, slim depth and energy-efficient design
- Enhance visual attractiveness with symmetric slim bezel design and detachable LED Logo unit
- Simplify management with Samsung MagicInfo™ S software embedded solutions and a Plug-in Module (PIM)
- Operate displays remotely using RJ45 and RS-232 wired connections, as well as using WiFi and WiDi standards wirelessly
- Link multiple displays with Display Port (DP) 1.2 loop out
- Diversify video sources displayed on the same display up to 3 independent sources from large variety of input types

Improve image quality and functionality with an energy-efficient LFD

LFDs were originally used strictly for signage. Now their use has expanded into unified productivity devices in the business environment, substituting for traditional projectors in meeting rooms and classrooms. Corporate executives also find useful as business intelligence dashboards.

Traditional projectors typically provide poor image quality, annoying shadows and blinding dazzle. They also emit heat, dust and noise, which distract viewer attention. In addition, projectors are expensive to operate and maintain, consuming energy and causing downtime when costly bulbs need replacement.

Once strictly limited to signage, large format displays (LFDs) are now used in place of projectors in a variety of business applications. With innovative advances in picture quality and energy efficiency, LFDs are a better, clearer and more cost-effective alternative to projectors.

Samsung ME95C LED LFD offer a smarter solution to lamp-lit projectors with enhanced picture quality, lower power consumption and added versatility. Backlight dimming for broader contrast, a 120 Hz refresh rate for sharper and smoother pictures deliver an enhanced viewing experience. In addition, a built-in media player and energy-efficient LED technology help reduce the total cost of ownership (TCO).

Display sharper images without viewer distractions with Samsung backlit LED LFD technology.

MagicInfo™ S software and optional PIM provide management flexibility.

View ultra-clear pictures without distractions

Samsung ME95C LED LFD deliver high-quality images without the distortion, blur or glare inherent in traditional projectors, providing productive, distraction-free presentations. An ultra-clear panel, backlight dimming and a 120 Hz refresh rate help enhance image detail and readability, providing a better viewing experience.



Figure 1. ME95C can replace conventional projector in meeting room environment.

Enhance visual attractiveness with slim profile and symmetric bezel design

ME95C has slim profile at mere 45.8 mm (1.80 in.) despite it being the largest sized display in the industry at 95 inches. The slim profile of ME95C allows for light weight as well as flexibility in fitting into the installation space while elevating sophistication of design, even when installed to be protruding from the wall.

The design of ME95C LFD is as unique as its large size screen, in that the bezel is not only thinner at 12.3 mm (0.48 in.) but the bezel is also symmetric at all sides. This allows ME95C to maintain optimal visual attractiveness at whichever orientation, be it horizontal or vertical.

The symmetric bezel design was made possible with the LED Logo unit that can be detached and attached at the bottom side of either horizontal or vertical orientation. The detachable LED Logo unit with Samsung logo on it acts as IR and external sensor providing control via remote controller when attached to the display. It adds yet another level of visual attractiveness by having the brand logo upright at any orientation.

When multiple ME95C displays are combined to create one video wall, the large display area and the symmetric super narrow bezel design provide near-seamless video wall experience. Businesses can plan and deploy large-scale video walls with less display units and less bezels, significantly reducing distraction.

Project large-scale images and consume less energy with edge-type LED technology

Samsung ME95C LED LFD provides largest viewing area and is more energy efficient than cold cathode fluorescent light (CCFL) displays. The 95-inch models produce considerably less heat, provide near-silent operation and require less energy to operate compared with traditional projectors.

Streamline management with Samsung embedded solutions

Samsung ME95C LED LFDs are designed to help simplify management as well as offer customizing options with embedded solutions for today's sophisticated video demands.

Eliminate the need for a PC media player with Samsung MagicInfo™ S software

Samsung MagicInfo™ S digital signage software is standard with ME95C LED displays. This all-in-one display solution includes an internal media player, eliminating the need for an external PC. Designed with an intuitive user interface (UI) for ease of use, administrators can manage, organize and schedule content on multiple displays through a web-based interface. The MagicInfo™ S software connects to the MagicInfo™ Premium Server to control display functions without a Multi-Display Control (MDC) program. Content can be automatically played through the LFD's internal memory or with a USB thumb drive Plug-and-Play (PNP) feature.

Three PIM options are available to suit specific needs.



Figure 2. Samsung MagicInfo™ S all-in-one display solution includes an internal media player and signage software.

Customize content more easily with an optional Samsung PIM

Display content can be customized with Samsung's optional PIM. This cableless PC solution supports any Open Pluggable Specification (OPS) device that is compatible with Intel® OPS. Designed for ease of installation and use, the compact PIM plugs into the back of the display.

The Samsung PIM installed half embedded will only add 2.2 mm (0.09 in.) additional depth to the 95-inch ME model. Fully self-contained, the PIM transfers power and signals internally. This feature eliminates the need for unwieldy cables, offering a less cluttered environment. Users can choose from the following three PIM options:

1. Dual core (2 GB of RAM) with Microsoft® Windows® Embedded Standard 7 (WES7), designed for signage with MagicInfo™ i Premium preinstalled
2. Quad core (4 GB of RAM) with WES7, designed for signage with MagicInfo™ i Premium preinstalled
3. Quad core (4 GB of RAM, 128 GB solid state drive (SSD) with Windows 7 Professional preinstalled, designed for e-board usage with MagicIWB (Interactive White Board) 2.0 Basic preinstalled

Display presentations with versatile options such as a touchscreen overlay and a PIM.

Control displays remotely with mixed connectivity

Samsung ME95C LED displays offer powerful connectivity, even when working with RJ45 and RS-232 connections. Competitor displays can operate only an RJ45 or RS-232 connection. With the Samsung line of LED displays, both network connections can be used simultaneously. Using a DP 1.2 loop out, a single display image can be shared with nearby displays. This feature eliminates the need to purchase separate video signal distributors for each display, further reducing equipment costs.



Figure 4. Samsung ME95C LED displays enable RJ45 and RS-232 connectivity simultaneously.

Control displays wirelessly

Samsung ME95C LED display comes with built-in WiFi and WiDi support. Combination with devices that support WiFi and WiDi, ME95C display can have its content streamed and controlled from the source device without the clutter of LAN, RGB, and HDMI cables.

Samsung ME95C displays offer robust features for superior presentations.

Features and benefits

Features	Benefits
Ultra-clear panel	Reduce light scatter and reflection for enhanced readability.
Edge backlit LED	Increase energy efficiency and decrease heat emissions, compared with conventional CCFL displays.
Backlight dimming	Deliver broader color contrast and deeper blacks with LED backlight unit control.
120 Hz refresh rate	Project sharper, smoother pictures, even when images are moving at high speeds, reducing blur and visual distortion.
Super-thin symmetric bezel	Enhance visual attractiveness with symmetric bezel that is super-thin.
Ultra-slim profile	Fit displays in limited space.
Lightweight design	Install displays more easily without lifting cumbersome, heavy units.
MagicInfo™ S software	Manage, organize, schedule and control displays remotely.
3 PIP	Display up to 3 different video sources on the same screen.
PIM option	Customize content with an external PC solution and reduce clutter without the need for a PC or unwieldy cables.
Powerful connectivity	Use RJ45 and RS-232 connections simultaneously.
DP 1.2 loop out	Share content with nearby displays without the need for separate video signal distributors.
Wireless connection	Less cable clutter

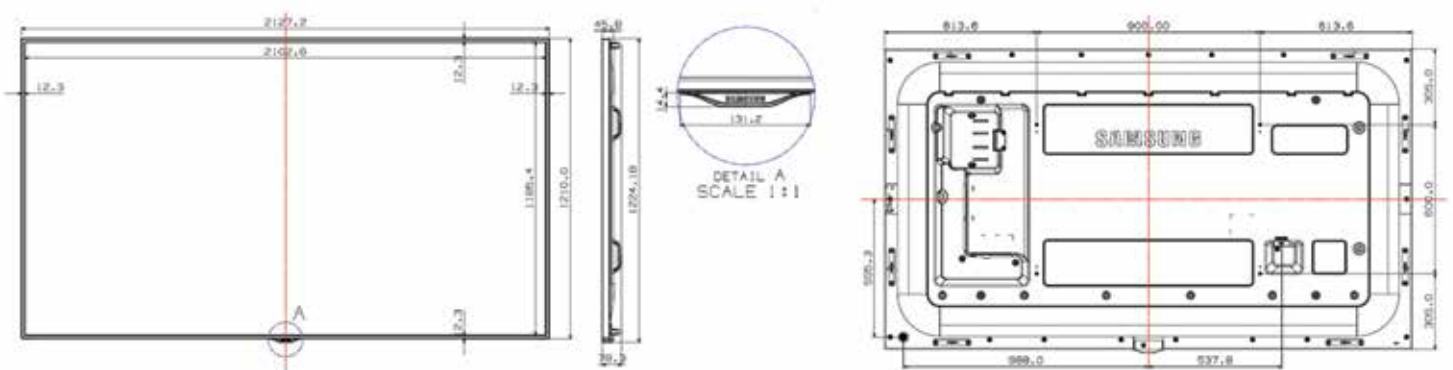


Figure 3. Schematic of model ME95C

Samsung ME95C

Specifications(DRAFT)

		ME95C		
Panel	Diagonal size	95 in.		
	Type	120Hz LED BLU		
	Resolution	1920 x 1080		
	Pixel pitch (H x V)	0.364(H) x 1.092(V)		
	Active display area (H x V)	2096.64(H) x 1179.36(V)		
	Brightness (Typ.)	600 cd/m ²		
	Contrast ratio	5,000:1		
	Viewing angle (H/V)	178/178		
	Response time (G-to-G)	8 ms		
	Display colors	10 bit Dithering - 1.07 Billion		
	Color gamut	72%		
	Display	Dynamic C/R	10,000:1 (AV mode)	
H-scanning frequency		30 - 81 kHz		
V-scanning frequency		48 - 75 Hz		
Maximum pixel frequency		148.5 MHz		
Connectivity	Input	RGB	Analog D-sub, DVI-D, DisplayPort 1.2	
		Video	HDMI1, HDMI2, HDMI3 Component(CVBS Common)	
		Audio	Stereo mini jack	
	Output	RGB	DP1.2(Loop-out)	
		Video	N/A	
		Audio	Stereo mini jack	
		Power out	N/A	
	External control	RS-232C (in/out) thru stereo jack, RJ45		
External sensor	(Detachable LED Logo Type) IR, Ambient Light			
Power	Type	Internal		
	Power supply	AC 100 - 240 V (+/- 10%), 50/60 Hz		
	Power consumption (w/o PIM)	Max (W/h)	495	
		Typical (W/h)	290	
		BTU (Max)	1687.95	
		Sleep mode	Less than 0.5 W	
Off mode	Less than 0.5 W			

Samsung ME95C

Specifications (DRAFT), continued

			ME95C
Mechanical Specs	Dimension	Set	2127.2 x 1210.0 x 45.8 (w/o stand)
		Package	2265 x 1405 x 462
	Weight	Set	66.5 (w/o stand)
		Package	121.4
	VESA mount		900*600mm
	Stand type		Foot Stand (Default)
	Media player option type		PIM-B (Attachable)
	Bezel width		12.3mm
Operation	Operating temperature		0°C - 40°C (32°F - 104°F)
	Humidity		10 - 80%
Feature	Key		Large & Slim LFD with Built-in MagicInfotm™ S
	Special		Magic Clone(to USB), Auto Source Switching & Recovery, Lamp Error Detection, Super Clear Coating, Temperature Sensor, RS232C/RJ45 MDC, Plug and Play (DDC2B), PIP/PBP, Video Wall(10x10), Pivot Display, Image Rotation, Button Lock, DP 1.2 Digital Daisy Chain(Supporting 2x2 UHD Resolution, HDCP Support), Smart Scheduling, Smart F/W update, Clock Battery(80hrs Clock Keeping) Built In MagicInfo(Lite, Premium-S, Videowall-S), WiFi Embedded, WiDi 2.0, Conference Audio, 3-PIP
	Internal player (embedded H/W)	Processor	Cortex-A9 1GHz Dual Core CPU
		On-chip cache memory	L1 (I/D) : 32KB / 32KB L2 (Unified) : 512KB
		Clock speed	1GHz CPU Dual
		Main memory interface	1GB Dual 32bit DDR3-667 (1333MHz)
		Graphics	2D and 3D graphics engine - Up to 1,920 x 1,080, 32 bpp - Supports OpenGL ES
		Storage (FDM)	8GB (1.2GB Occupied by O/S, 6.8GB Available,)
		Multimedia	Video decoder - MPEG-1/2, H.264/AVC (Dual) - VC-1, JPEG, PNG Audio DSP (decoder) - AC3 (DD), MPEG, DTS and so on
		IO ports	USB 2.0
		Operating system	Linux®

Samsung ME95C

Specifications (DRAFT), continued

		ME95C	
Certification	Safety	cUL (USA+Canada) : UL60950 TUV (Germany) : EN60950 CB (Europe) : IEC60950/EN60950 EK (Korea) : K60950 CCC (China) : GB4943.1 PSB (Singapore) : IEC60950 GOST (Russia) : IEC60950, EN55022 SIQ (Slovenia) : IEC60950, EN55022 PCBC (Poland) : IEC60950, EN55022 NOM (Mexico) : NOM-001-SCFI-1993 IRAM (Argentina) : IRAM SASO (Saudi Arabia) : IEC60950 BIS(India) : IS13252	
	EMC	FCC (USA) : FCC Part 15, Subpart B class A CE (Europe) : EN55022, EN55024 VCCI (Japan) : V-3 (CISPR22) KCC (Korea) : KN22, KN24 BSMI (Taiwan) : CNS13438 (CISPR22) C-Tick (Australia) : AS/NZS3548 (CISPR22) CCC(China) : GB 9254-2008, GB 17625.1-2003	
	Environment	TBD	
Accessories	Included	Quick Setup Guide, Warranty Card, Application CD, D-Sub cable, Power Cord, Remote Controller, Batteries	
	Optional	Stand	(In Box)
		Mount	WMN9500SD
	Specialty	N/A	
Media player		PIM (Optional)	

Legal and additional information

About Samsung Electronics Co., Ltd.

Samsung Electronics Co., Ltd. is a global leader in semi-conductor, telecommunication, digital media and digital convergence technologies with 2011 consolidated sales of US\$143.1 billion. Employing approximately 222,000 people in 205 offices across 71 countries, the company operates two separate organizations to coordinate its nine independent business units: Digital Media & Communications, comprising Visual Display, Mobile Communications, Telecommunication Systems, Digital Appliances, IT Solutions, and Digital Imaging; and Device Solutions, consisting of Memory, System LSI and LCD. Recognized for its industry-leading performance across a range of economic, environmental and social criteria, Samsung Electronics was named the world's most sustainable technology company in the 2011 Dow Jones Sustainability Index. For more information, please visit www.samsung.com.

For more information

For more information about Samsung ME95C LED LFDs, visit www.samsunglfd.com/index.do.



Copyright © 2012 Samsung Electronics Co. Ltd. All rights reserved. Samsung is a registered trademark of Samsung Electronics Co. Ltd. Specifications and designs are subject to change without notice. Non-metric weights and measurements are approximate. All data were deemed correct at time of creation. Samsung is not liable for errors or omissions. All brand, product, service names and logos are trademarks and/or registered trademarks of their respective owners and are hereby recognized and acknowledged.

ENERGY STAR is a registered trademark of the U.S. government.

Intel is a registered trademark of Intel Corporation or its subsidiaries in the United States, other countries, or both.

Linux is a registered trademark of Linus Torvalds in the United States, other countries, or both.

Microsoft and Windows are trademarks of Microsoft Corporation in the United States, other countries, or both.

Samsung Electronics Co., Ltd.
416, Maetan 3-dong,
Yeongtong-gu
Suwon-si, Gyeonggi-do 443-772,
Korea

www.samsung.com

2013-09